



X-595 GRAIN / PELLET HEATING QUESTIONNAIRE

CLEAR PHOTOGRAPHS & QUESTIONNAIRE REQUIRED FOR EACH INSTALLATION (UNITS & VENTS)

NAME ADDRESS PHONE NO.	POLICY NO. BROKER INSPECTED BY DATE
------------------------------	--

GENERAL INSTALLATION QUESTIONS

- Are ashes / clinker from appliance disposed of in a non-combustible container? Yes No
 If no, explain: _____
- Was unit installed by a certified heating contractor? Yes No
 Firm or individual: _____
- Was chimney installed by a certified heating contractor? Yes No
 Firm or individual: _____
- Does the unit share a venting system with any other appliance? Yes No
 If yes, explain what other appliance: _____
- Does vent pass through a concealed space? (eg. Closet, Attic, Floor, Wall) Yes No
- Does vent pass through upper level living space? (eg. Second storey) Yes No
- Quantity of fuel used _____ Type of fuel used _____
- How often is venting system cleaned per heating season? _____ Date last Cleaned _____
- Have any modifications been made to unit or vent? Yes No
 If yes, explain _____
- R.M. # _____ Does the installation meet all current municipal bylaws?

VENT INSPECTION

FACTORY-BUILT METAL

Manufacturer _____
 Type _____ Model _____
 Total Height _____" Flue Size _____"
 Inside Outside Age _____
 Certified Yes No

Rain Cap _____
 Flashing _____

Must be certified to ULC/ORD-C441

Clearances above Roof		
	Required	Actual
Vertical	_____"	_____"

Chimneys must extend a minimum of 36" above point of exit

Intermediate Support (wall support bands)

Adequate? Yes No
 Use of factory components Yes No
 Condition _____

Clearance from Combustibles		
	Required	Actual
	_____"	_____"

HORIZONTAL VENT INSTALLATION

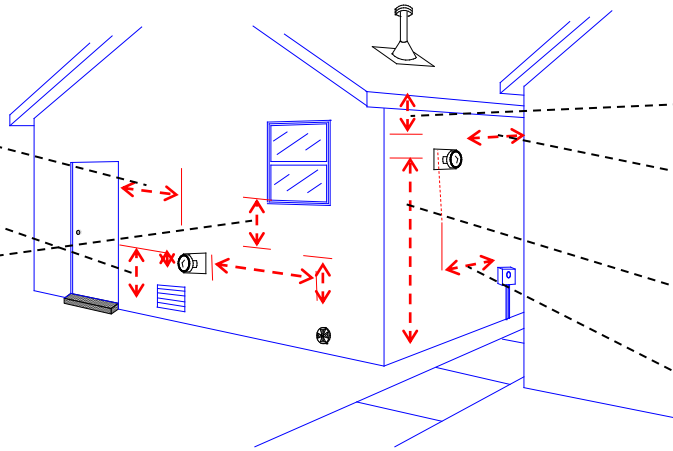
Distance from point of exit to pellet vent cap _____"
Not less than 36"

Distance to nearest building opening or air inlet of another appliance _____"
ULC not less than 36"

Distance above grade _____"
Not less than 12"

Distance to mechanical air supply _____"
ULC not less than 72"

Distance to property boundary _____"
Not less than 36"



Distance to gas regulator vent outlet or oil tank fill or vent outlet _____"
Not less than 72" to gas outlet and 36" to oil tank fill or vent

Distance to under eave _____"
Not less than 36"

Distance to adjacent building / fence etc. _____"
Not less than 36"

Height above public grade adjacent to public walkway _____"
Not less than 7"

Horizontal distance to gas meter / regulator _____"
ULC not above meter / regulator within horizontal distance of 36"

GRAIN / PELLETS STOVES

Indicate Actual Clearances on Diagram

Building Appliance is installed in: Dwelling Garage Workshop Other _____
If in Dwelling, where? Main Floor Basement Porch Other _____

Manufacturer _____ Appliance Type _____

Model _____ Age _____

Is appliance: Certified? Yes No Approved for Mobile Home? Yes No

If yes, Canadian Standards Underwriters Laboratories of Canada
 Warnock-Hersey Ltd. (CANADA) Omni-Test Laboratories, Inc.

Indicate approved clearances (see label or installation manual)

Sides: _____" Front: _____" Back: _____"

Top: _____" Corner: _____"

Floor Protection Required: Yes No

Sides: _____" Front: _____" Back: _____"

NOTE: This section is for the sole use of the Manufacturers' approved clearances as indicated on the label or brochure. "Actual" clearances are to be shown on the diagram below.

ALL DISTANCES ON DIAGRAMS ARE TO BE MEASUREMENTS TAKEN FROM THE PARTICULAR INSTALLATION

APPLIANCE INSTALLATION

Distance from top of stove to ceiling _____"

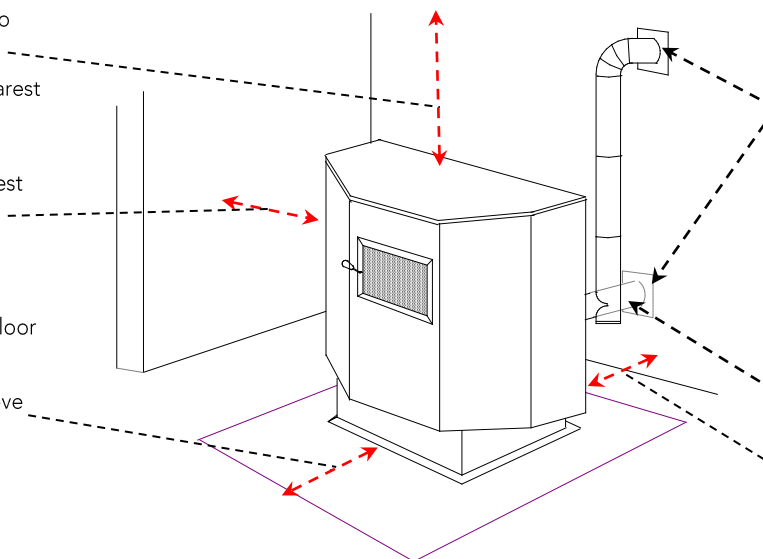
Describe construction of nearest side wall _____

Distance from stove to nearest side wall _____"

Construction of Floor _____

Is there a non-combustible floor pad? Yes No

Distance from bottom of stove to floor protection _____"



Distance from vent to combustibles _____"

Is there a thimble where vent passes through wall or ceiling?
 Yes No

Describe construction of ceiling _____

Describe construction of back wall. _____

Are all vent connector joints appropriately sealed?
 Yes No

Total length of horizontal vent _____"

Distance from stove to back wall _____"

Comments: _____

Completed by: _____ Date: _____