



# X-594 HYDRONIC SOLID FUEL HEATING QUESTIONNAIRE

CLEAR PHOTOGRAPHS (UNITS, CHIMNEYS & SHELTER), QUESTIONNAIRE, & YARD DIAGRAM REQUIRED FOR EACH INSTALLATION

NAME _____	POLICY NO. _____
ADDRESS _____	BROKER _____
PHONE NO. _____	INSPECTED BY _____
	DATE _____

## GENERAL INSTALLATION QUESTIONS

- Are ashes / clinker from appliance disposed of in a non-combustible container?  Yes  No  
 If no, explain: \_\_\_\_\_
- Was unit installed by a certified heating contractor?  Yes  No  
 Firm or individual: \_\_\_\_\_
- Was chimney installed by a certified heating contractor?  Yes  No  
 Firm or individual: \_\_\_\_\_
- Does the unit share a venting system with any other appliance?  Yes  No  
 If yes, explain what other appliance: \_\_\_\_\_
- Does vent pass through a concealed space? (eg. Closet, Attic, Floor, Wall)  Yes  No
- Does vent pass through upper level living space? (eg. Second storey)  Yes  No
- Quantity of fuel used \_\_\_\_\_ Type of fuel used \_\_\_\_\_
- How often is venting system cleaned per heating season? \_\_\_\_\_ Date last Cleaned \_\_\_\_\_
- Have any modifications been made to unit or vent?  Yes  No  
 If yes, explain \_\_\_\_\_
- R.M. # \_\_\_\_\_ Does the installation meet all current municipal bylaws?

## CHIMNEY INSPECTION

*(To be completed if appliance is housed in building)*

### MASONRY

- Shell Material \_\_\_\_\_ Condition \_\_\_\_\_ Chimney Liner Type \_\_\_\_\_  
 Built from:  Ground  Bracket Liner size \_\_\_\_\_ Height above crown \_\_\_\_\_
- Foundation Type \_\_\_\_\_ Chimney Breech or Thimble  
 Condition \_\_\_\_\_ Material Type \_\_\_\_\_  
 Age \_\_\_\_\_ Condition \_\_\_\_\_
- Chimney Crown Type \_\_\_\_\_ Wall Pass-through Type \_\_\_\_\_  
 Condition \_\_\_\_\_ Condition \_\_\_\_\_
- Flashing Type \_\_\_\_\_ Clean-out Door  Yes  No  
 Condition \_\_\_\_\_ Location \_\_\_\_\_

Clearances to Combustibles			Clearances to Combustibles		
	Required	Actual		Required	Actual
Vertical	36"	_____	Inside	2"	_____
Horizontal	10'	_____	Outside	1/2"	_____

Chimneys must extend a minimum of 36" above point of exit and 24" above obstacles within a horizontal distance of 10'

**FACTORY-BUILT METAL**

**Manufacturer** \_\_\_\_\_  
 Type \_\_\_\_\_ Model \_\_\_\_\_  
 Total Height \_\_\_\_\_" Flue Size \_\_\_\_\_"  
 Inside  Outside Age \_\_\_\_\_  
 Certified?  Yes  No

**Roof Brace** (required if chimney is over 60" above roof)  
 Required  Yes  No  
 Condition \_\_\_\_\_  
 Rain Cap \_\_\_\_\_  
 Flashing \_\_\_\_\_

**Must be certified to ULC-S629M (650 degrees C.)**

**Chimney Support**  
 Adequate Base Support  Yes  No  
 Adequate Ceiling Support  Yes  No  
 Use of factory components  Yes  No  
 Condition \_\_\_\_\_

<i>Clearances above Roof</i>		
	Required	Actual
<b>Vertical</b>	36"	_____"
<b>Horizontal</b>	10'	_____"

Chimneys must extend 24" above obstacles within a horizontal distance of 10'

**Intermediate Support** (wall support bands)  
 Adequate?  Yes  No  
 Use of factory components  Yes  No  
 Condition \_\_\_\_\_

<i>Clearance from Combustibles</i>		
	Required	Actual
	2"	_____"

Chimneys must extend a minimum of 36" above point of exit and 24" above obstacles within a horizontal distance of 10'

**HYDRONIC SOLID FUEL HEATING APPLIANCE**

**Indicate Actual Clearances on Diagram** (see over)

Appliance is installed:  Outside (Self Contained)  Designated Building  Other \_\_\_\_\_

Is the shelter entirely non combustible construction?  Yes  No

Does the stove pipe pass through a concealed space? (eg. Attic, Wall, Roof)  Yes  No

What piping is used for the heat transfer medium?  
 Copper  Cross (X) Link Polyethylene labelled for use over 180°F or 85°C  
 Other (Describe fully) \_\_\_\_\_

Is pipe buried to a minimum of 18"?"  Yes  No

Are you using the heat transfer medium recommended by the manufacturer?  Yes  No

Fully describe what is being used (**NO AUTOMOTIVE ANTI-FREEZE ALLOWED**) \_\_\_\_\_

Specify the amount of heat transfer medium contained within the system (in gallons or litres) \_\_\_\_\_

Are the heat exchangers designed and sold for their specific applications  Yes  No

Is there auxiliary or backup heat in the structure(s) (dwelling, shop, etc) being heated?  Yes  No

\*If yes, describe the backup system: \_\_\_\_\_

**Appliance Manufacturer** \_\_\_\_\_  
 Model \_\_\_\_\_ Age \_\_\_\_\_  
 Is appliance certified?  Yes  No Homebuilt?  Yes  No  
 Is the appliance certified for indoor installation?  Yes  No  
 If yes,  Canadian Standards  Underwriters Laboratories of Canada  
 Warnock-Hersey Ltd. (CANADA)  Omni-Test Laboratories, Inc.

<b>Indicate approved clearances (see label or installation manual)</b>			<b>NOTE:</b> This section is for the sole use of the Manufacturers' approved clearances as indicated on the label or brochure. "Actual" clearances are to be shown on the most applicable diagram below.
Sides: _____"	Front: _____"	Back: _____"	
Top: _____"	Corner: _____"		
<b>Floor Protection:</b>			
Sides: _____"	Front: _____"	Back: _____"	

ALL DISTANCES ON DIAGRAMS ARE TO BE MEASUREMENTS TAKEN FROM THE PARTICULAR INSTALLATION

HYDRONIC INDOOR APPLIANCE

Distance from top of appliance to ceiling \_\_\_\_\_"

Describe construction of nearest side wall \_\_\_\_\_

Distance from furnace to nearest side wall \_\_\_\_\_"

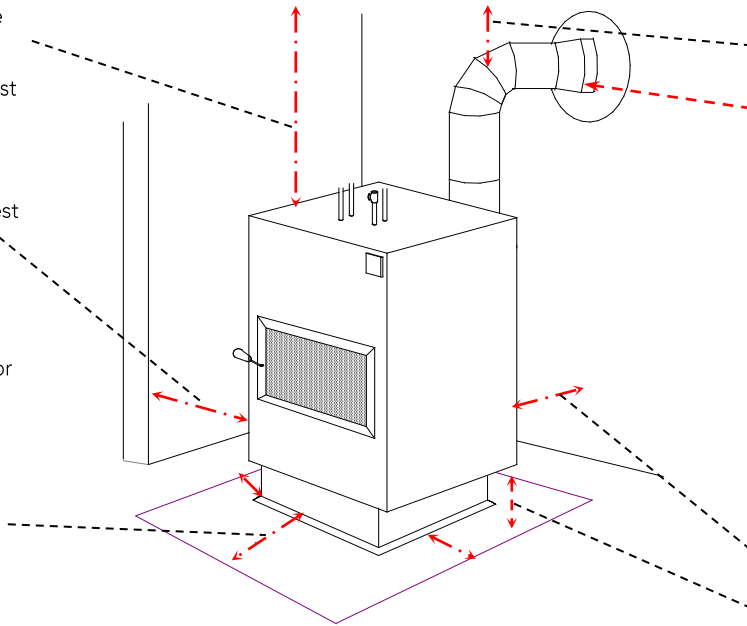
Construction of Floor \_\_\_\_\_

Is there a non-combustible floor pad?  Yes  No

Type of floor protection. \_\_\_\_\_

Distance from end of floor protection to furnace:  
 Front \_\_\_\_\_"  
 Side \_\_\_\_\_"  
 Back \_\_\_\_\_"

Comments: \_\_\_\_\_



Distance from stovepipe to: ceiling \_\_\_\_\_"; wall \_\_\_\_\_"

Is there a thimble/chimney connector where stovepipe passes through wall or ceiling.  
 Yes  No

Describe construction of ceiling \_\_\_\_\_

Describe construction of back wall. \_\_\_\_\_

Total length of stovepipe \_\_\_\_\_"

Construction of stovepipe  
 Galvanized  Black Steel  
 Single Wall  Double-lined

Distance from furnace to back wall \_\_\_\_\_"

Distance from bottom of furnace to floor protection \_\_\_\_\_"

Comments: \_\_\_\_\_

ALL DISTANCES ON DIAGRAMS ARE TO BE MEASUREMENTS TAKEN FROM THE PARTICULAR INSTALLATION

HYDRONIC OUTDOOR APPLIANCE INSTALLED IN BUILDING OR SHELTER

Distance from top of appliance to ceiling \_\_\_\_\_"

Describe construction of ceiling \_\_\_\_\_

Distance from furnace to nearest side wall \_\_\_\_\_"

Describe construction of nearest side wall \_\_\_\_\_

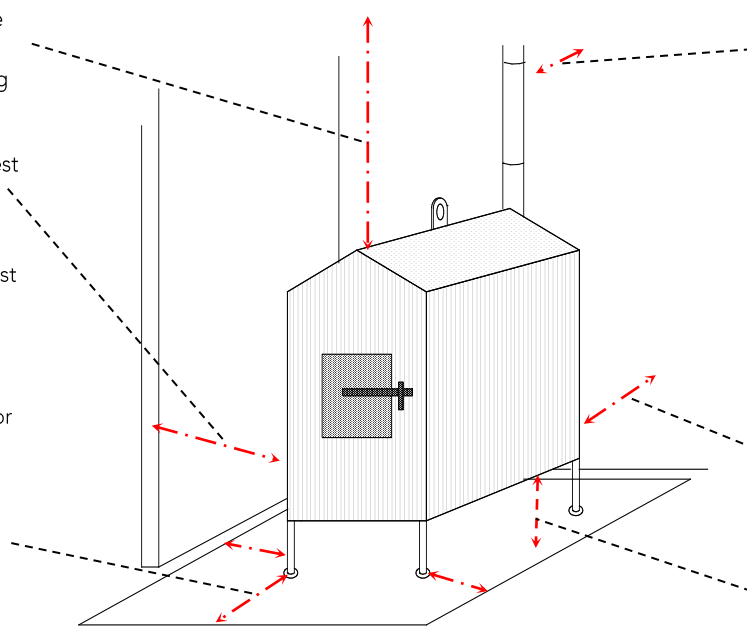
Construction of Floor \_\_\_\_\_

Is there a non-combustible floor pad?  Yes  No

Type of floor protection. \_\_\_\_\_

Distance from end of floor protection to furnace:  
 Front \_\_\_\_\_" Side \_\_\_\_\_"  
 Back \_\_\_\_\_"

Comments: \_\_\_\_\_



Distance from stovepipe to: ceiling \_\_\_\_\_"; wall \_\_\_\_\_"

The **chimney** begins at the:  
 appliance  
 ceiling or exterior wall

Is there a thimble/chimney connector where stovepipe passes through wall or ceiling.  
 Yes  No

Construction of stovepipe  
 Galvanized  Black Steel  
 Single Wall  Double-lined

Total length of stovepipe \_\_\_\_\_"

Distance from furnace to back wall \_\_\_\_\_"

Describe construction of back wall. \_\_\_\_\_

Distance from bottom of furnace to floor protection \_\_\_\_\_"

Comments: \_\_\_\_\_