



X-593 SOLID FUEL HEATING QUESTIONNAIRE

CLEAR PHOTOGRAPHS & QUESTIONNAIRE REQUIRED FOR EACH INSTALLATION (UNITS & VENTS)

NAME ADDRESS PHONE NO.	POLICY NO. BROKER INSPECTED BY DATE
------------------------------	--

GENERAL INSTALLATION QUESTIONS

- Are ashes / clinker from appliance disposed of in a non-combustible container? Yes No
 If no, explain: _____
- Was unit installed by a certified heating contractor? Yes No
 Firm or individual: _____
- Was chimney installed by a certified heating contractor? Yes No
 Firm or individual: _____
- Does the furnace share a chimney flue with any other appliance? Yes No
 If yes, explain what other appliance: _____
 Which appliance has the lowest connection? _____
- Does stove pipe pass through a concealed space? (eg. Closet, Attic, Floor, Wall) Yes No
- Quantity of fuel used _____ Distance from unit to furniture, fuel, walls _____
- How often is chimney cleaned per heating season? _____ Date last Cleaned _____
- Have any modifications been made to unit or chimney? Yes No
 If yes, explain _____

CHIMNEY INSPECTION

MASONRY

- Shell Material _____ Condition _____
 Built from: Ground Bracket
- Foundation Type _____
 Condition _____
 Age _____
- Chimney Crown Type _____
 Condition _____
- Flashing Type _____
 Condition _____
- Chimney Liner Type _____
 Liner size _____ Height above crown _____
- Chimney Breech or Thimble
 Material Type _____
 Condition _____
- Wall Pass-through Type _____
 Condition _____
- Clean-out Door Yes No
 Location _____

Clearances to Combustibles			Clearances to Combustibles		
	Required	Actual		Required	Actual
Vertical	36"	_____	Inside	2"	_____
Horizontal	10'	_____	Outside	½"	_____

Chimneys must extend 24" above obstacles within a horizontal distance of 10'

FACTORY-BUILT METAL

Manufacturer _____
 Type _____ Model _____
 Total Height _____" Flue Size _____"
 Inside Outside Age _____
 Certified? Yes No

Roof Brace (required if chimney is over 60" above roof)
 Required Yes No
 Condition _____
 Rain Cap _____
 Flashing _____

Must be certified to ULC-S629M (650 degrees C.)

Chimney Support
 Adequate Base Support Yes No
 Adequate Ceiling Support Yes No
 Use of factory components Yes No
 Condition _____

<i>Clearances above Roof</i>		
	Required	Actual
Vertical	36"	_____"
Horizontal	10'	_____"

Chimneys must extend 24" above obstacles within a horizontal distance of 10'

Intermediate Support (wall support bands)
 Adequate? Yes No
 Use of factory components Yes No
 Condition _____

<i>Clearance from Combustibles</i>		
	Required	Actual
	2"	_____"

SPACE HEATERS / COOK STOVES

Indicate Actual Clearances on Diagram (see over)

Building Appliance is installed in: Dwelling Garage Workshop Other _____
 If in Dwelling, where? Main Floor Basement Porch Other _____

Manufacturer _____ Appliance Type _____
 Model _____ Age _____

Is appliance: Certified? Yes No Approved for Mobile Home? Yes No

If yes, Canadian Standards Underwriters Laboratories of Canada
 Warnock-Hersey Ltd. (CANADA) Omni-Test Laboratories, Inc.

<p>Indicate <u>approved</u> clearances (see label or installation manual)</p> <p>Sides: _____" Front: _____" Back: _____" Top: _____" Corner: _____" Floor Protection Required: <input type="checkbox"/> Yes <input type="checkbox"/> No Sides: _____" Front: _____" Back: _____"</p>	<p>NOTE: This section is for the sole use of the Manufacturers' approved clearances as indicated on the label or brochure. "Actual" clearances are to be shown on the diagram below.</p>
---	---

ALL DISTANCES ON DIAGRAMS ARE TO BE MEASUREMENTS TAKEN FROM THE PARTICULAR INSTALLATION

NON SHIELDED INSTALLATION

Distance from top of stove to ceiling _____"

Describe construction of nearest side wall _____"

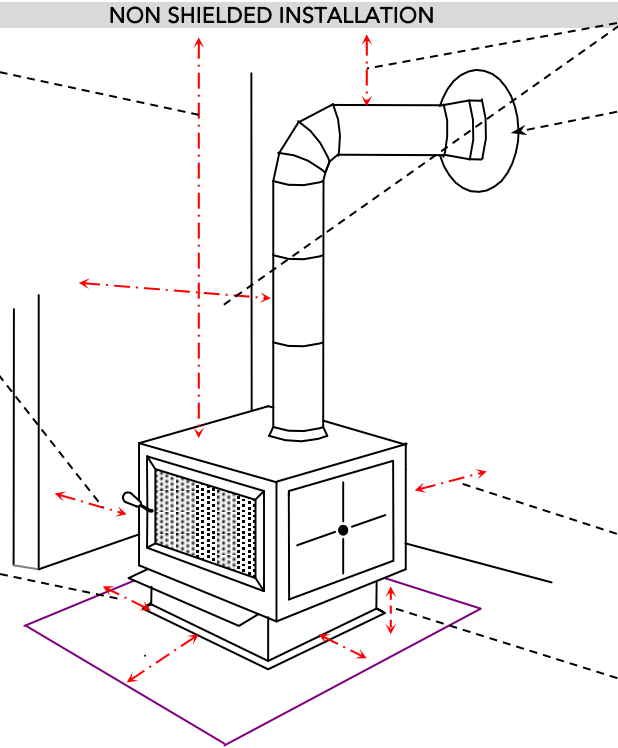
Distance from stove to nearest side wall _____"

Construction of Floor _____

Is there a non-combustible floor pad? Yes No

Type of floor protection. _____

Distance from end of floor protection to stove:
Front _____"
Side _____"
Back _____"



Distance from stovepipe to: ceiling _____"; wall _____"

Is there a thimble/chimney connector where stovepipe passes through wall or ceiling. Yes No

Describe construction of ceiling _____

Describe construction of back wall. _____

Total length of stovepipe _____"

Construction of stovepipe
 Galvanized Black Steel
 Single Wall Double-lined

Distance from stove to back wall _____"

Distance from bottom of stove to floor protection _____"

Describe construction of ceiling. _____

SHIELDED INSTALLATION

Distance from the top of stove to ceiling _____"

Describe construction of side wall _____

Type and thickness of shield _____

Distance from wall to shield _____"

Distance from front of stove to front of shield _____"

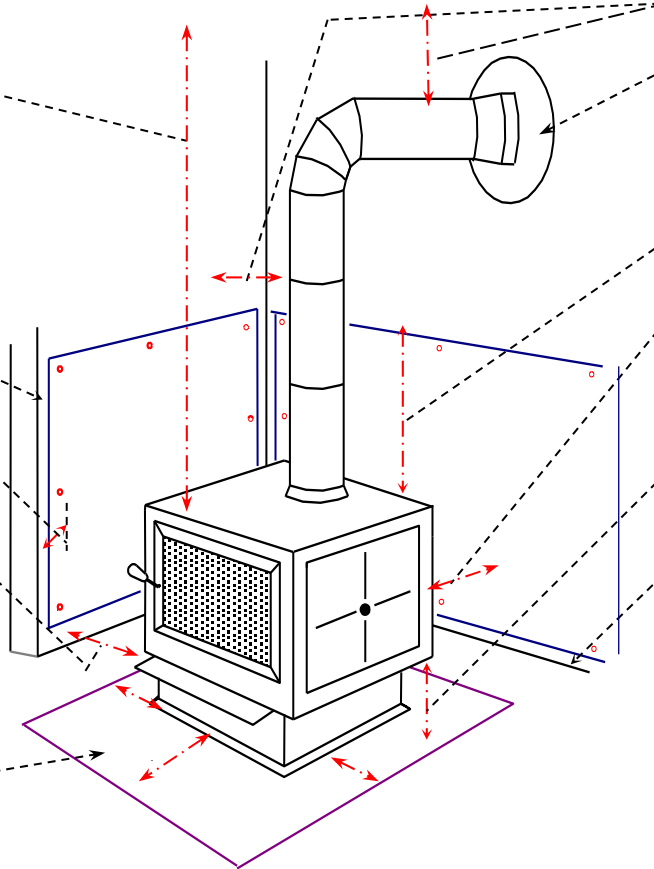
Distance from side of stove to wall behind shield _____"

Construction of floor _____

Is there a non-combustible floor pad? Yes No

Type of floor protection _____

Distance from end of floor protection to stove.
Front _____", Side _____" Back _____"



Distance from stovepipe to: ceiling _____"; wall _____"

Is there a thimble/chimney connector where stovepipe passes through wall or ceiling? Yes No

Describe construction of back wall _____

Distance from top of stove to top of shield _____"

Distance from back of stove to back of wall behind shield _____"

Construction of spacers. _____

Distance from bottom of stove to floor protection _____"

Distance from heat shield to floor _____"

Total length of stovepipe _____"

Construction of stovepipe
 Galvanized Black Steel
 Single Wall Double-lined

Comments: _____

Completed by _____

Date _____

ALL DISTANCES ON DIAGRAMS ARE TO BE MEASUREMENTS TAKEN FROM THE PARTICULAR INSTALLATION

**CORNER INSTALLATION
Non-Shielded**

Distance from top of stove to ceiling _____"

Describe construction of nearest side wall _____.

Distance from closest corner of stove to left side wall. _____"

Construction of Floor _____

Is there a non-combustible floor pad? Yes No

Type of floor protection. _____

Distance from end of floor protection to stove:
Front _____"
Side _____"
Back _____"

Distance from stovepipe to: ceiling _____"; wall _____"

Is there a thimble/chimney connector where stovepipe passes through wall or ceiling? Yes No

Describe construction of ceiling _____

Describe construction of back wall. _____

Total length of stovepipe _____"

Construction of stovepipe
 Galvanized Black Steel
 Single Wall Double-lined

Distance from closest corner of stove to right side wall _____"

Distance from bottom of stove to floor protection _____"

**CORNER INSTALLATION
Shielded**

Describe construction of ceiling. _____

Distance from the top of stove to ceiling _____"

Describe construction of side wall _____.

Type and thickness of shield _____

Distance from wall to shield _____"

Distance from front of stove to front of shield _____"

Distance from side of stove to wall behind shield _____"

Construction of floor _____

Is there a non-combustible floor pad? Yes No

Type of floor protection _____

Distance from end of floor protection to stove.
Front _____", Side _____"
Back _____"

Distance from stovepipe to: ceiling _____"; wall _____"

Is there a thimble/chimney connector where stovepipe passes through wall or ceiling? Yes No

Describe construction of back wall _____

Distance from top of stove to top of shield _____"

Distance from closest corner of stove to back of wall behind shield. _____"

Construction of spacers. _____

Distance from bottom of stove to floor protection _____"

Distance from heat shield to floor _____"

Total length of stovepipe _____"

Construction of stovepipe
 Galvanized Black Steel
 Single Wall Double-lined

Comments: _____

Completed by _____ Date _____

CENTRAL HEATING FURNACES / ADD-ON

WOOD BURNING APPLIANCE:

Building Appliance is installed in: Dwelling Garage Workshop Other _____
 If in Dwelling, where? Main Floor Basement Porch Other _____

Manufacturer _____ Appliance Type _____
 Model _____ Age _____

Is appliance: Certified? Yes No

If yes, Canadian Standards Underwriters Laboratories of Canada
 Warnock-Hersey Ltd. (CANADA) Omni-Test Laboratories, Inc.

If appliance is an "Add-On":

Is it approved for use with existing furnace? Yes No

Is the furnace installed downstream between hot air outlet of original furnace and it's distribution ducts? Yes No

Indicate approved clearances (see label or installation manual)

Sides: _____" Front: _____" Back: _____"

Above Hot Air Plenum: _____"

Above First 6' of Hot Air Plenum: _____"

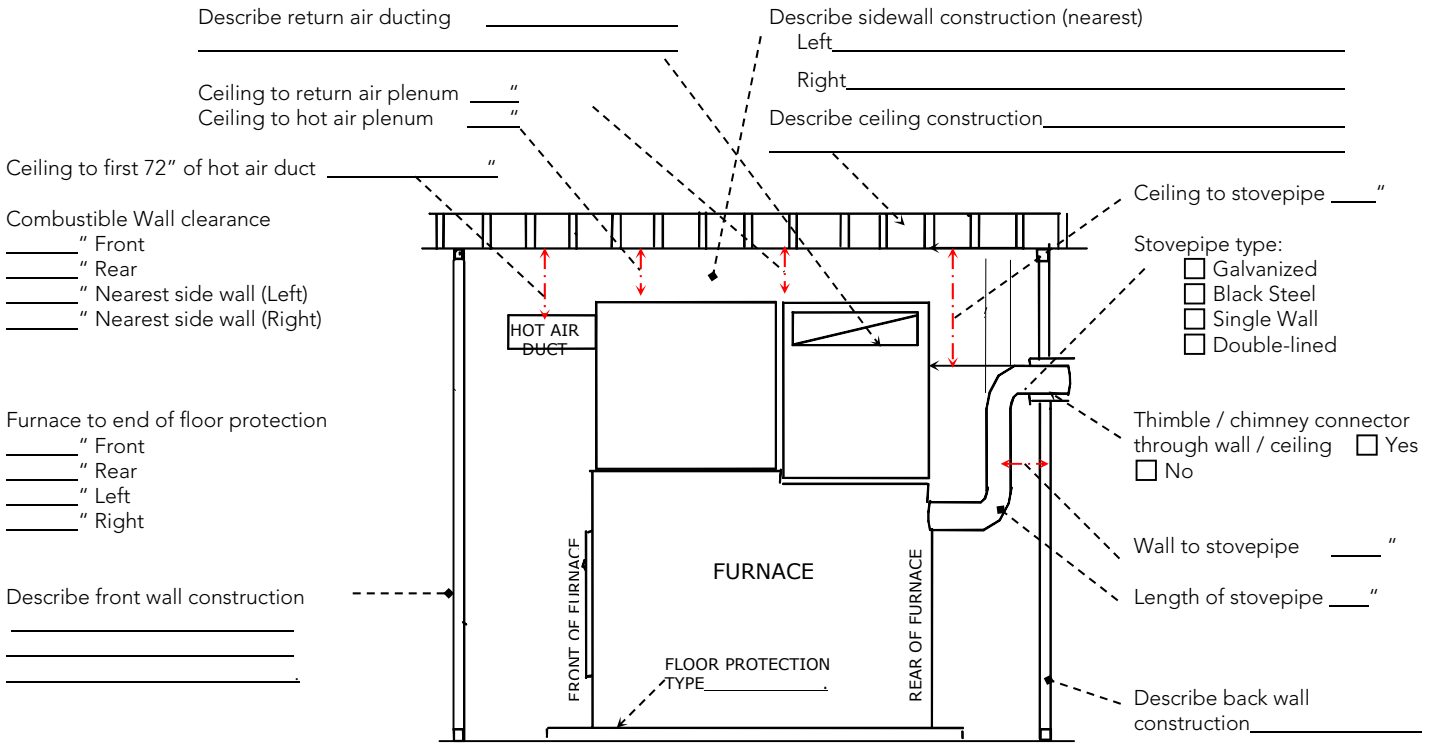
Floor Protection Required: Yes No

Sides: _____" Front: _____" Back: _____"

Fueling Door End: _____"

NOTE: This section is for the sole use of the Manufacturers' approved clearances as indicated on the label or installation instructions. "Actual" clearances are to be shown on the diagram below.

Indicate Actual Clearances on the Diagram Below:



NOTE: If wood furnace is an add-on, is the furnace installed (downstream) between hot air outlet of original furnace and it's distribution ducts. Yes No

NOTE: All dimensions shall be supplied in inches.

COMMENTS:

